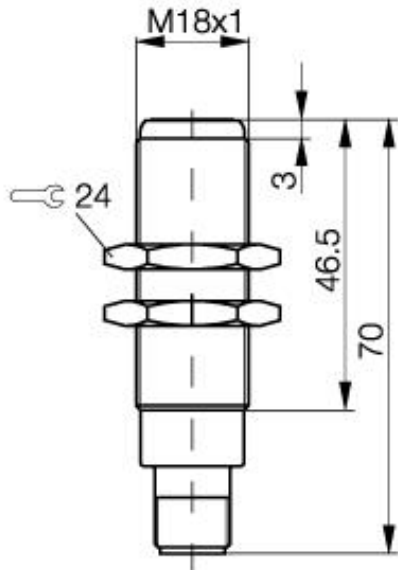


**Photoelectric Sensor**  
**BOS 18E-PS-1WD-E5-D-S 4**  
**Sn=4000mm**  
**Retroreflective**



PX1045

**Common Data**

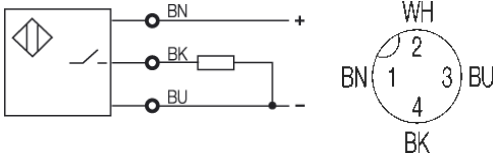
Series	18E
Sensortype	Retroreflective
Switching frequency	100 Hz
Rated operating distance Sn in mm	4000
asured operating distance Sa	4000
Ambient temperature	-20...+75°C
On-delay	5ms
Light	Red light
Permissible ambient light	2000 Lux
Output function	dark-on

**Mechanical Data**

Measurements	M18x1 x 70
Housing material	stainless steel 1.4571
Material of sensing face	Glass
Degree of protection	IP69
Connection	Connector S4 (M12)
Weigth	40g
Recommended connector	BKS-S20-4

**Electrical Data**

Current	DC
Switching function	normally-open
Output	PNP
Rated operational voltage Ue	24V DC
Rated operational current Ie	200mA
Supply Voltage	10...30V DC
Ripple	< 10% from UB
No-load supply current	<20mA
Voltage drop	<2,5V
Short protection	yes
Protected against polarity reversal	yes



Utilization categories  
 Insulation class

DC 13  
 I

Datasheet number:

Definitions see general catalog.  
 If not otherwise noted, ratings according to  
 IEC 60947-5-2 (DIN EN60947-5-2)

Balluff GmbH  
 Schurwaldstrasse 9  
 73765 Neuhausen a.d.F.  
 Phone (07158) 173-0 Fax (07158) 5010

Datenblatt by CD-ROM - 04/2007

**BALLUFF**  
 sensors worldwide